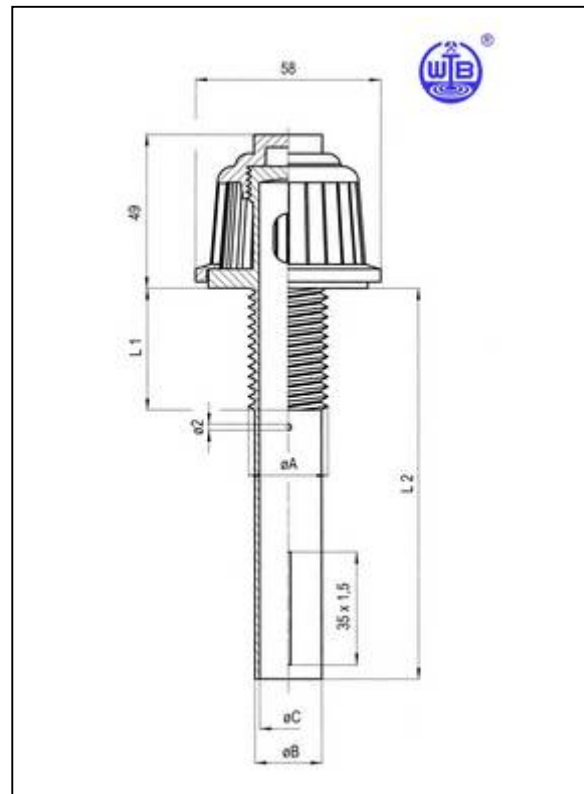
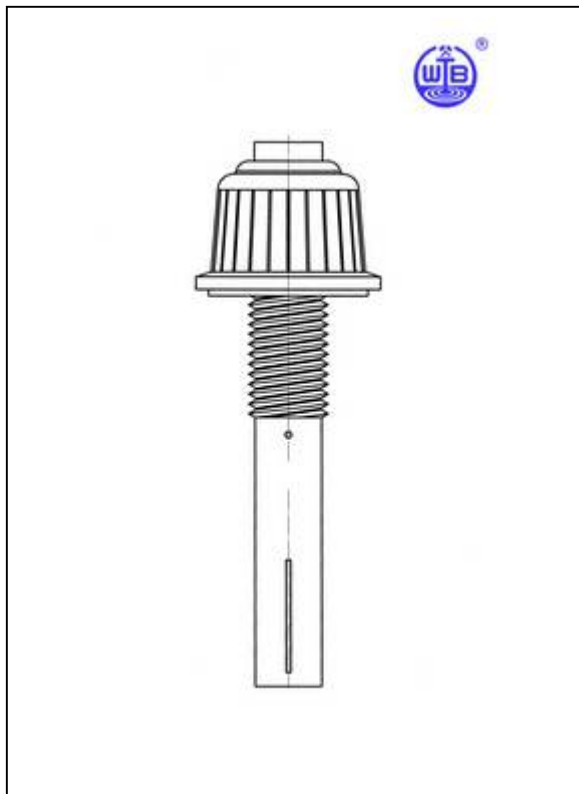


Schlitzkappenfilterdüse Typ S

Slot-cap filter nozzle Type S



L2 = Standard 120 mm inkl. Gewinde
 = Standard 120 mm incl. thread
 = Standard 120 mm incl. filetage
 = Standard 120 mm incl. rosca

B = 21 mm / 20 mm / 17 mm
 C = 18 mm / 16 mm / 14 mm

Schlitzkappenfilterdüse Typ S

Schlitz Slots Fentes Ranuras Aberturas

Anzahl	Breite	Länge	
30	0,2	25	= 1,50 cm ²
24	0,5	25	= 3,00 cm ²
24	0,7	25	= 4,20 cm ²
24	1,0	25	= 6,00 cm ²
24	2,0	25	= 12,0 cm ²
1	1,6	146	= 2,34 cm ²

Gewinde Thread Filetage Rosca

TYP		A (mm)	L1 (mm)											
			METRIC	14	15	18	20	25	30	40	50	60	65	70
S 16	M 16	16							✓					
S 11 f	M 20 x 1,5	20				✓	✓	✓	✓	✓	✓			
S 11 g	M 20 x 2,5	20				✓		✓	✓	✓	✓	✓		
S 22 f	M 22 x 1,5	22								✓				
S 22 g	M 22 x 2,0	22						✓	✓					
S 1	M 24	24		✓		✓		✓	✓	✓	✓			
S 2 f	M 27 x 2,0	27										✓		
S 2 g	M 27 x 2,5	27						✓	✓	✓	✓			
S 3	M 30	30						✓			✓			
WITHWORTH														
S 6	3/8"	9,5						✓						
S 15	3/4"	19,1						✓						
S 7	7/8"	22,2				✓		✓	✓					
S 10	1"	25,4				✓	✓	✓	✓	✓	✓			
S 19	1 1/8"	28,6		✓										
S 4	1 1/4"	31,8				✓	✓	✓	✓	✓	✓			✓
S 9	1 3/8"	34,9		✓				✓						
S 14	1 3/4"	44,5						✓						
BSP GAZ														
S 13	R 3/8"	16,7	✓			✓								
S 12	R 1/2"	21,0				✓		✓	✓	✓				
S 5	R 3/4"	26,4				✓		✓	✓	✓	✓			
S 17	R 7/8"	30,2							✓					
S 8	R 1"	33,2	✓		✓	✓	✓	✓	✓	✓	✓		✓	✓
S 18	R 1 1/4"	41,9								✓				

Polsterrohr Tube Tuyau Tubo

L2	nach Wunsch
----	-------------

Material / material / matériau / materiale / material:

PPN	PPH	PVDF
-----	-----	------